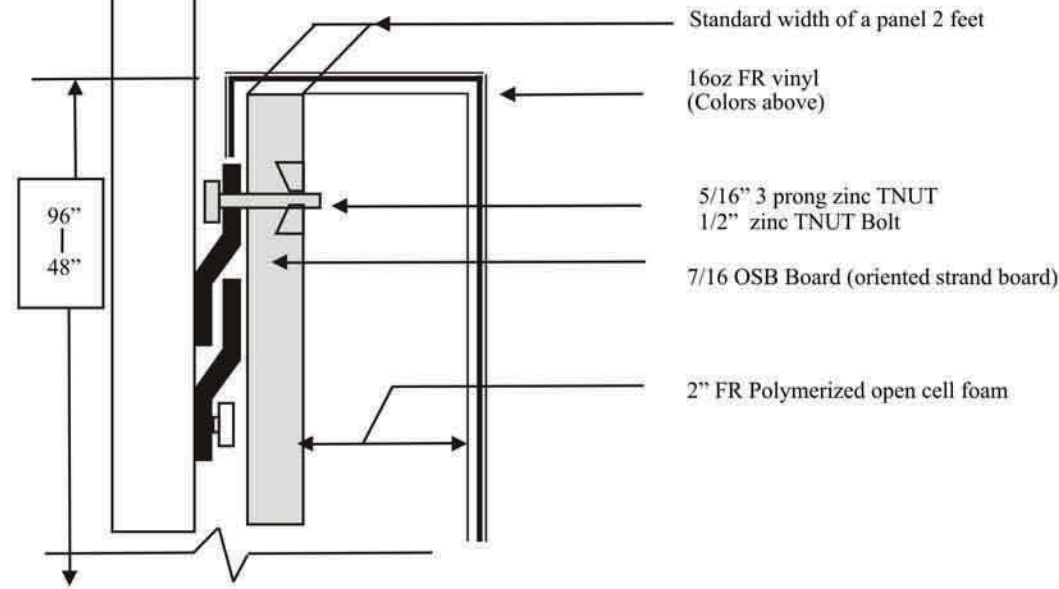
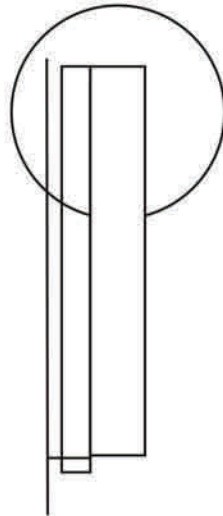


rev	by	describe change	date

Brown	Royal	Navy	Columbia Blue	Grey	Red	Purple	Black
Beige	White	Burgandy	Orange	Yellow	Forrest Green	Kelly Green	



Custom sizes also available



**Interior Wall Padding Specifications:**

OSB Backed Pads for Interior Use (Oriented Strand Board)  
Application: Masonry or Wood Walls

**Vinyl Cover:** 16oz FR Vinyl

Flame retardant for the life of the fabric  
Resist internal and external mildewing  
Rot and fungus resistant

Cover is wrapped around to the backside of the OSB board and is stapled every 3" with galvanized steel staples.

**Wood Backing:** 7/16" OSB (Oriented Strand Board)


**Attachment:** Aluminum "Z" clip is attached to the top of the pad using 5/16" T-nut and 1/2" zinc bolt and the 1" bottom lip is attached using appropriate wood or masonry hardware (not included). Additional "Z" strip to be attached to wall using appropriate wood or masonry hardware (not included).

**Foam Core:** Glued to the OSB backing; 2" Polymerized open cell foam.

Density (lb/ft;pcf) 6.0 - 7.0 **ASTM D3574 A**  
IFD-25%R (lb/50in) 35 -55 **ASTM D3574 B**

**2" FR Polymerized Panels with "Z" clips with 1" nail margin on bottom**

2' x 4' x 2" Wall Pad	1084118
2' x 5' x 2" Wall Pad	1084218
2' x 6' x 2" Wall Pad	1084318
2' x 7' x 2" Wall Pad	1084418
2' x 8' x 2" Wall Pad	1084518

 ARTISTIC COVERINGS 16444 Manning Way Cerritos, California 90703	drawn	Engineer 1	date	11/15/05
	title	WALL PADDING		
SCALE: NONE Tolerances x: +/-0.125 Unless otherwise noted	order #		by	by
	client	CUSTOMER	ref.	